

# BARCLAYS CENTER

## BROOKLYN, NEW YORK



Architect:	Ellerbe Becket & SHoP Architects
Structural Engineer:	Thornton Tomasetti
Representative:	Accurate Specialty Metal Fabricators, Inc.

The Barclays Center in Brooklyn, New York, is a multi-purpose indoor arena and home to the Brooklyn Nets of the NBA and the New York Islanders of the NHL. The center features 18,000 seats, 80 suites and an ice floor. The steel superstructure consists of two levels of concourse and two levels of suites.

Pottorff supplied all of the fire/smoke dampers, fire dampers, smoke dampers and noise control products needed for this project.

**5**  
year  
warranty  
all products

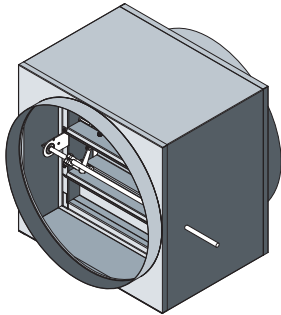


# POTTORFF®

For more info, visit [www.pottorff.com](http://www.pottorff.com).

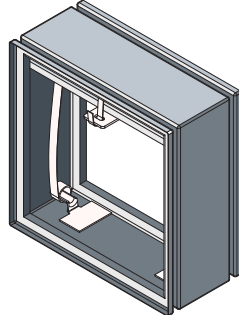
# POTTORFF PRODUCTS USED IN THE BARCLAYS CENTER

Pottorff supplied our line of UL rated Fire-Smoke Dampers, Fire Dampers, Smoke Dampers and Noise Control Products that have been engineered and tested to meet and exceed the certification requirements UL's organization requires.



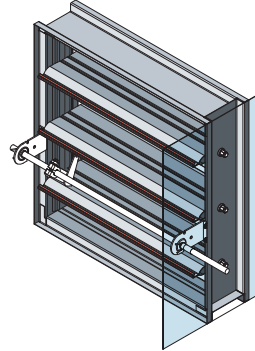
## Fire Dampers

Pottorff's Fire Dampers employ triple-V or airfoil blades for point-of-origin control of fire in static and dynamic HVAC systems. They can be qualified up to 4,000 ft/min and 6 in.wg. and may be installed in vertical walls or partitions, or horizontally in floors or assemblies with fire resistance ratings up to 4 hours, depending on model chosen.



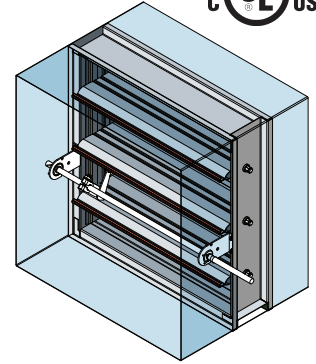
## Curtain Style Fire Dampers

Pottorff's Curtain Style Fire Dampers employ curtain style blades for point-of-origin control of fire in static and dynamic HVAC systems. They are qualified up to 4,000 ft/min and 4 in.wg. and may be installed in vertical walls or partitions, or horizontally in floors or assemblies with fire resistance ratings up to 4 hours, depending on model chosen.



## Smoke Dampers

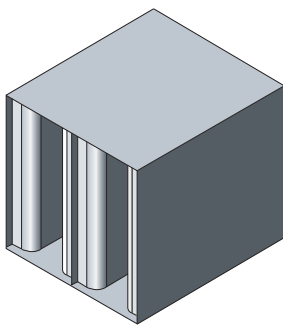
Pottorff's Smoke Dampers employ triple-V or airfoil blades for point-of-origin control of smoke in static and dynamic smoke management systems. They are qualified up to 4,000 ft/min and 6 in.wg. and may be installed in, or adjacent to vertical walls or partitions, or horizontally in, or adjacent to floors or assemblies, depending on model chosen.



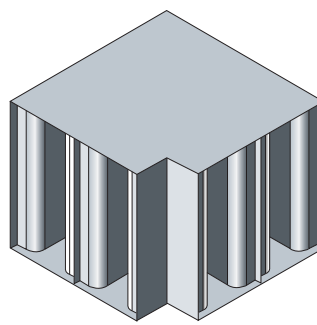
## Fire/Smoke Dampers

Pottorff's Combination Fire/Smoke Dampers employ triple-V or airfoil blades for point-of-origin control of fire and smoke in static and dynamic smoke management systems. They are qualified up to 4,000 ft/min and 6 in.wg. and may be installed in vertical walls or partitions, or horizontally in floors or assemblies with fire resistance ratings up to 4 hours, depending on model chosen.

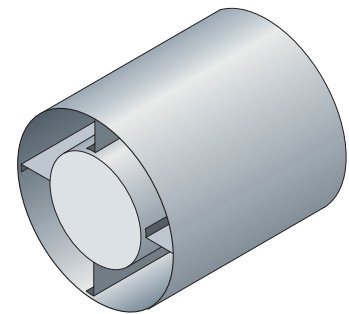
Pottorff noise control products are engineered to provide a highly configurable noise control solution tuned to meet the specific acoustic requirements for your project. All of our noise control products are backed by data collected in our NVLAP accredited (Lab Code 201006-0) in-house Acoustic Testing Laboratory.



Rectangular Silencers



Elbow Silencers



Circular Silencers

Pottorff features powerful programs to help you with your acoustic projects. Our Acoustic Information Model (AIM) is a noise prediction tool designed to model the amount of noise that reaches individual spaces within a building project through the mechanical systems. You can also choose the best silencer for every project with our Silencer Selection Tool (SST). Configure your silencer based on Shape, Fill Material, Fill Protection, Width, Diameter, Height, Airflow or Velocity and Criteria such as Pressure Drop and Insertion Loss. Visit [pottorff.com](http://pottorff.com) to start using these tools.

# POTTORFF®

For more info, visit [www.pottorff.com](http://www.pottorff.com).